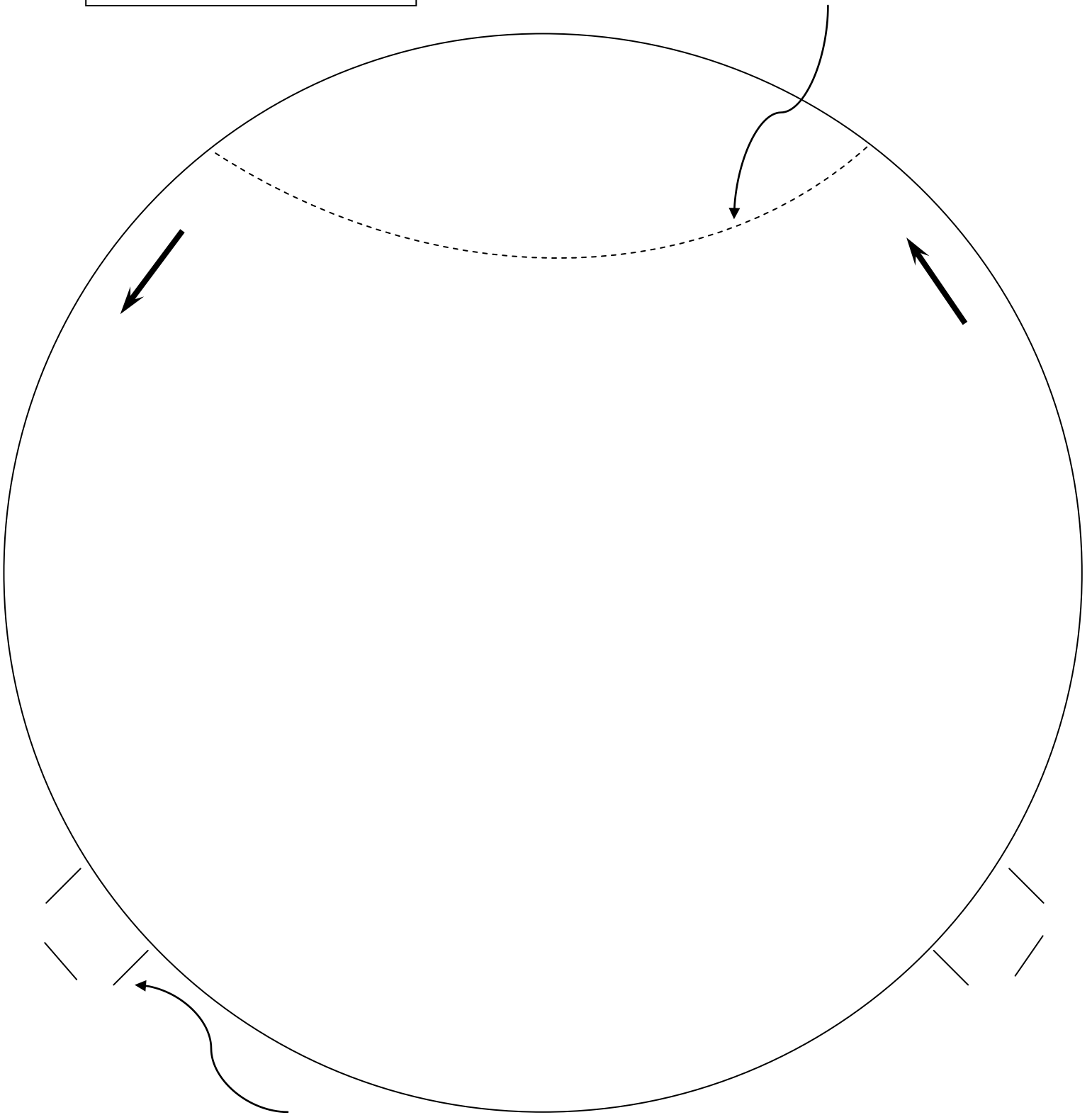


Spinner Template
Side A

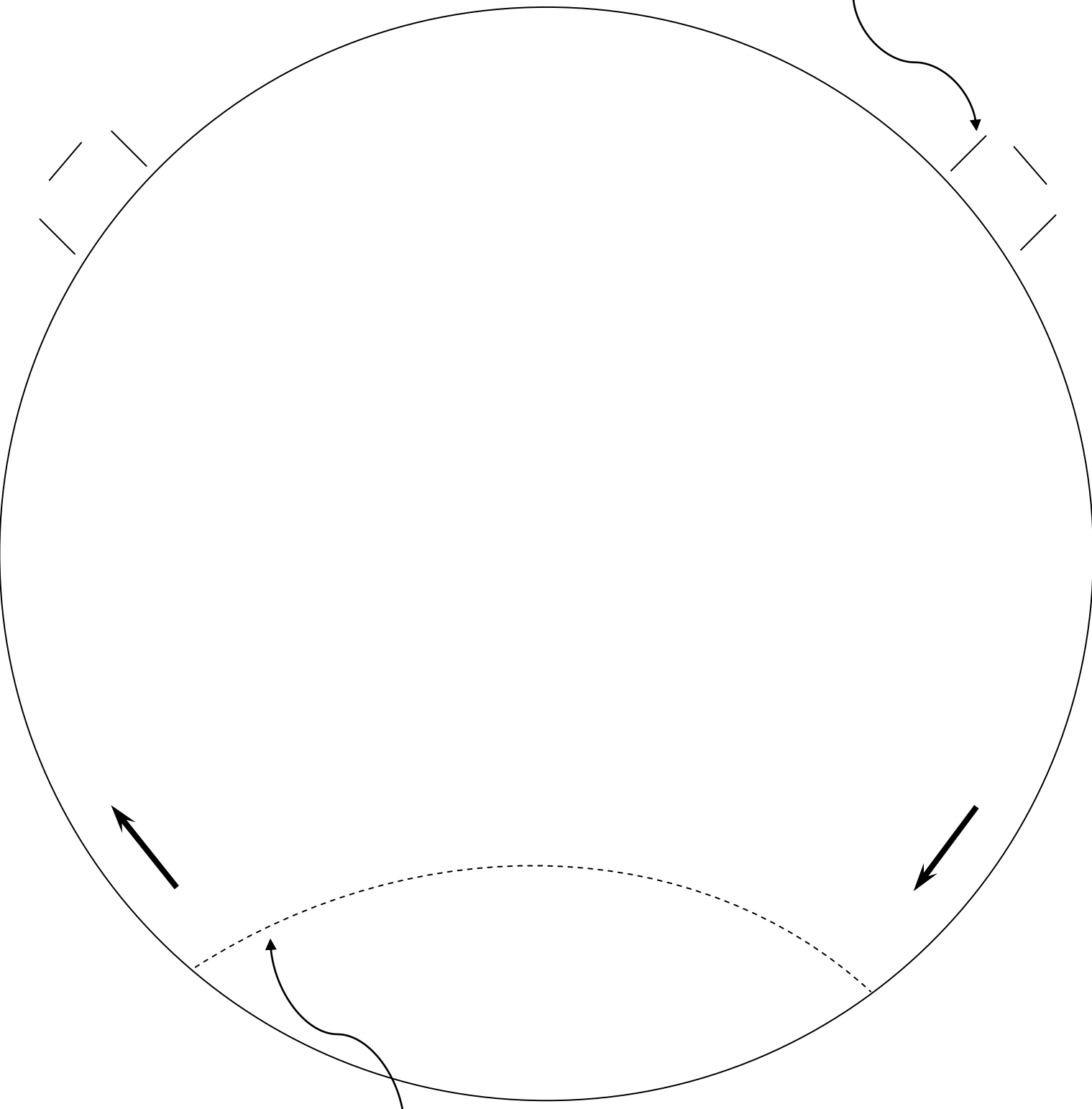
Cut on dotted line
to create window



Cut around circle and tabs. Fold tabs inside.
Sandwich inside circle between A & B.
Glue tabs to back of Side B.

Side B

Cut around circle and tabs. Fold tabs inside.
Sandwich inside circle between A & B.
Glue tabs to back of Side A.



Cut on dotted line
to create window

Front and Back of inside circle. Print on both sides and sandwich between Sides A & B.

